

### SPECIFICATIONS:

**MODEL NUMBER:** 8000-151-296

**PUMP DESIGN:** Positive Displacement 3 Chamber Diaphragm Pump

**CAM:** 2.0 Degree

**MOTOR:** Permanent Magnet, P/N 11-127-10

**VOLTAGE:** 24 VDC Nominal

**PRESSURE SWITCH:** Adjustable Shut-Off (Range 40-60 PSI)

Factory Set @ 60 PSI, Turn On 45 PSI  $\pm$  5 PSI

**LIQUID TEMPERATURE:** 170 Degrees Fahrenheit (77 Degrees Centigrade) Max.

**PRIME:** Self-Priming Up To 8 Ft. Vertical,  
Max. Inlet Pressure 30 PSI (2.1 Bar)

**PORTS:** 3/8"-18 NPT Female

**MATERIAL OF CONSTRUCTION:**

**PLASTICS-** Polypropylene

**VALVES-** Buna-n

**DIAPHRAGM-** Geolast (Main), Buna-n (Switch)

**FASTENERS-** Zinc Plated Steel

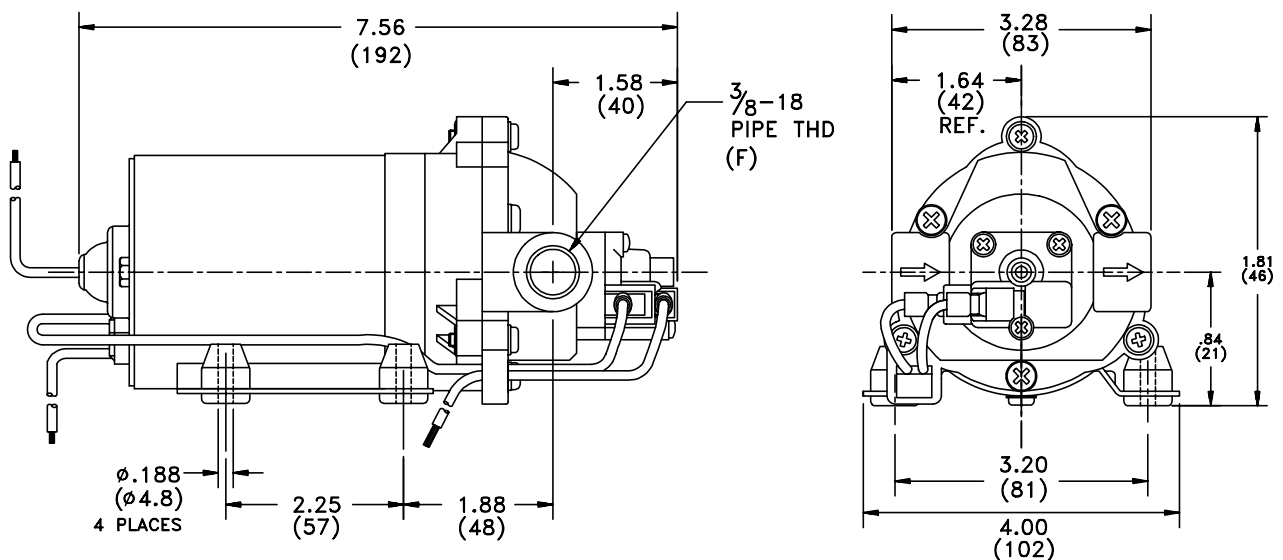
**NET WEIGHT:** 3.85 Lbs (1.75 Kg)

**DUTY CYCLE:** Intermittent (See Temperature Rise Chart)

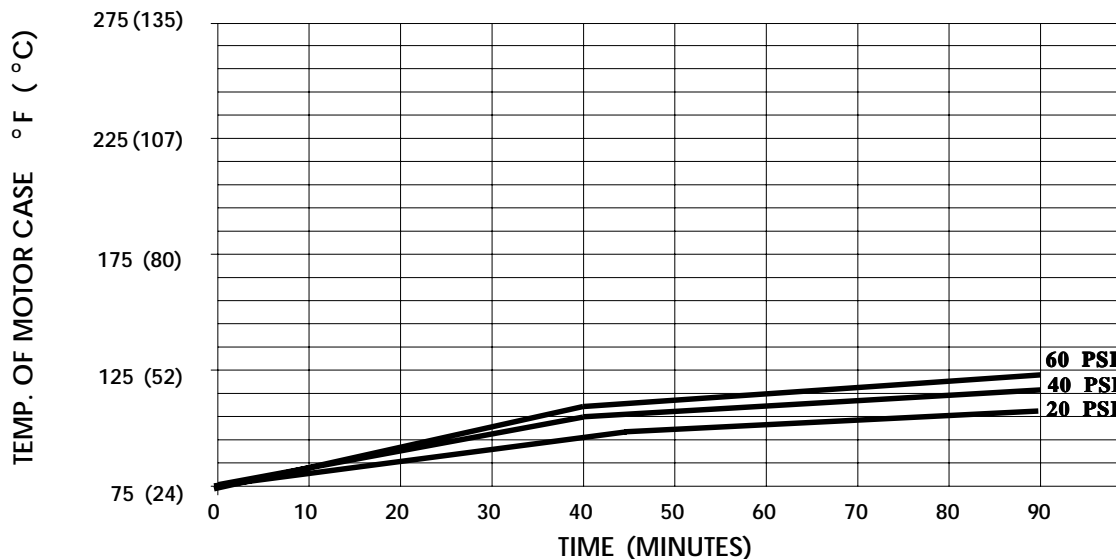
**TYPICAL APPLICATIONS:** Soil Extraction

**BYPASS:** 80 PSI Max.

### DIMENSIONS:

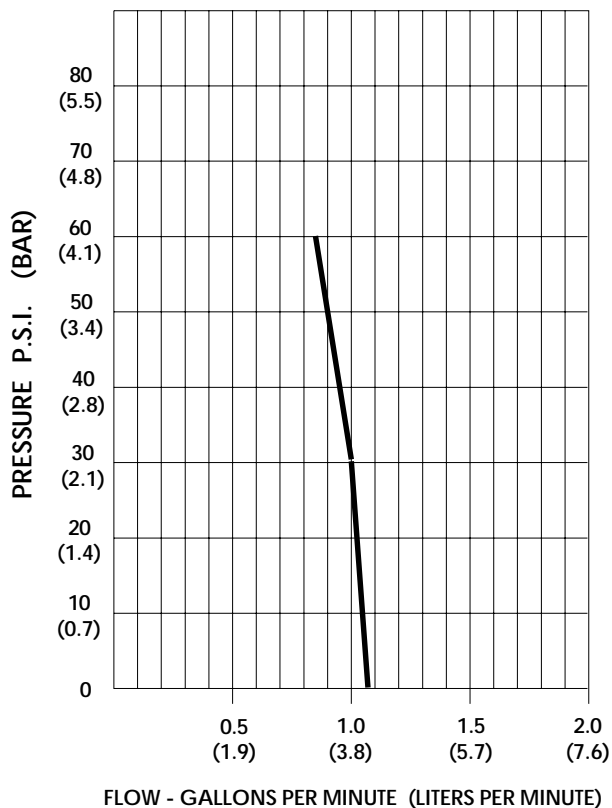


### TEMPERATURE RISE



THIS GRAPH IS FOR USE AS A DESIGN GUIDE. IT IS BASED ON RUNNING CONTINUOUSLY WITH AN AMBIENT TEMPERATURE OF 75° F IN STILL AIR.

### TYPICAL PERFORMANCE



PRESSURE (PSI)	FLOW (GPM/LIT)	RPM MIN/MAX	CURRENT (AMPS)	VOLTAGE (VOLTS)
OPEN	<b>1.08/4.1</b>	<b>2310/2380</b>	<b>1.1</b>	<b>24 VDC</b>
10	<b>1.06/4.0</b>	<b>2290/2365</b>	<b>1.3</b>	"
20	<b>1.04/3.9</b>	<b>2260/2345</b>	<b>1.5</b>	"
30	<b>1.00/3.8</b>	<b>2235/2310</b>	<b>1.8</b>	"
40	<b>0.97/3.7</b>	<b>2210/2295</b>	<b>2.0</b>	"
50	<b>0.92/3.5</b>	<b>2190/2270</b>	<b>2.2</b>	"
60	<b>0.84/3.2</b>	<b>2170/2250</b>	<b>2.4</b>	"

*-SPECIFICATIONS SUBJECT TO CHANGE WITHOUT NOTICE.*

*-ALL DATA BASED ON TESTING WITH WATER AT AMBIENT TEMPERATURE.*