

MODEL: 8000-043-235

SPECIFICATIONS:

MODEL NUMBER: 8000-043-235

PUMP DESIGN: Positive Displacement 3 Chamber Diaphragm Pump

CHECK VALVE: (1-Way Operation) Prevents Reverse Flow

CAM: 3.0 Degree

MOTOR: Permanent Magnet, P/N 11-111-00

VOLTAGE: 12 VDC Nominal

PRESSURE SWITCH: Adjustable Shut-Off (Range 30-50 PSI)

Factory Set @ 50 PSI, Turn On 25 PSI \pm 5 PSI

LIQUID TEMPERATURE: 180 Degrees Fahrenheit (82 Degrees Centigrade) Max.

PRIME: Self-Priming Up To 11 Ft. Vertical,

PORTS: 3/8"-18 NPT Female

MATERIAL OF CONSTRUCTION:

PLASTICS- Nylon

VALVES- Viton

DIAPHRAGM- Geolast (Main), Viton (Switch)

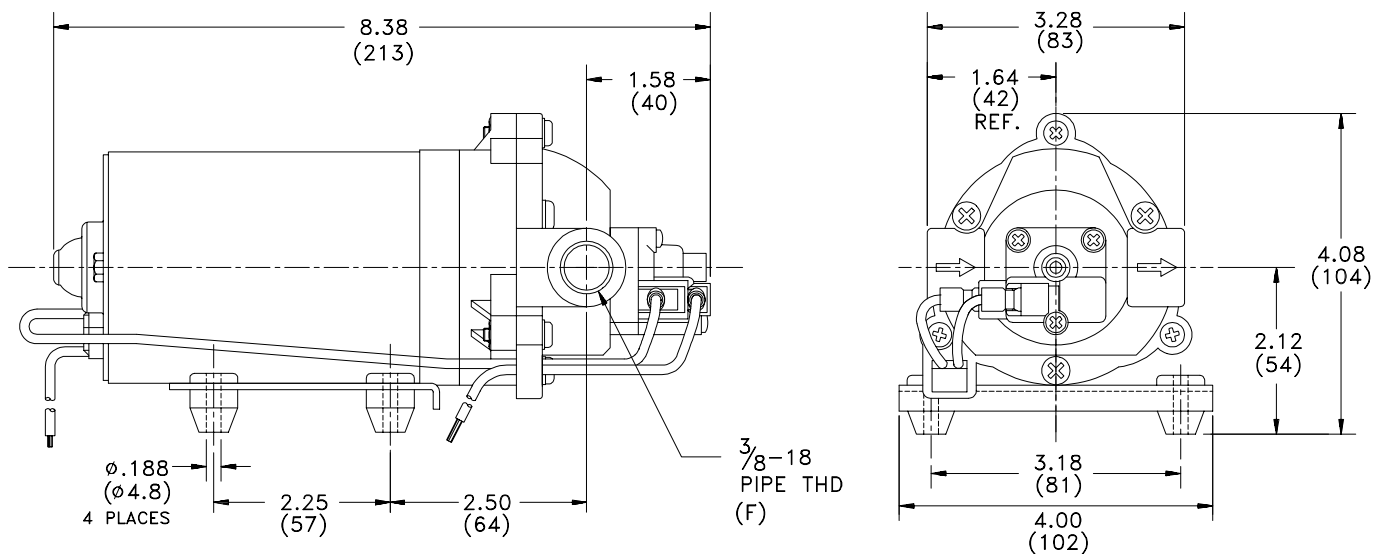
FASTENERS- Zinc Plated Steel

NET WEIGHT: 4.1 Lbs (1.9 Kg)

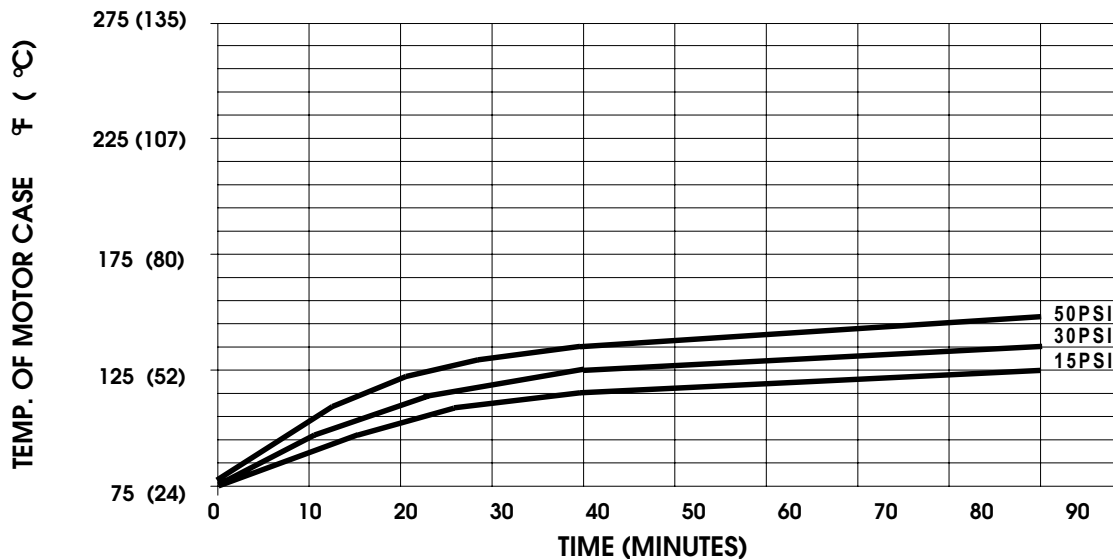
DUTY CYCLE: Continuous (See Temperature Rise Chart)

TYPICAL APPLICATIONS: Road Roller Equipment

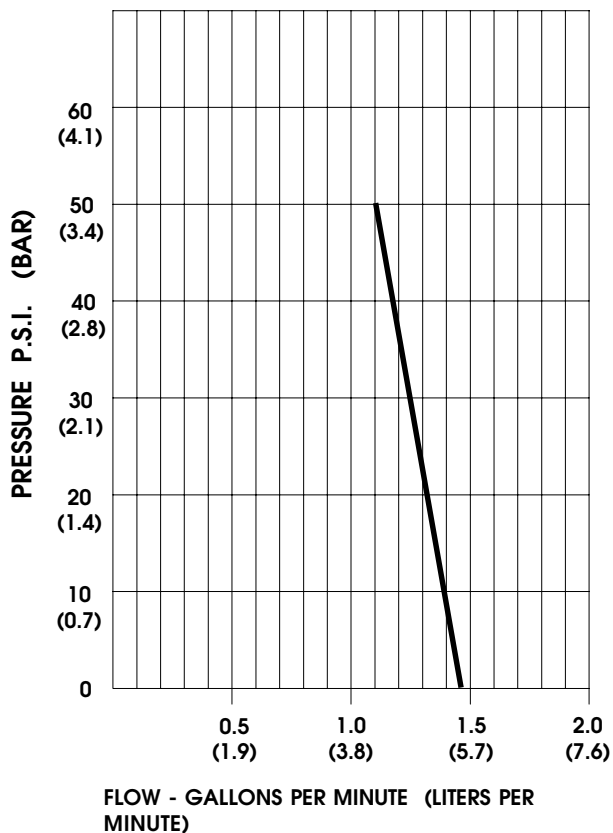
DIMENSIONS:



TEMPERATURE RISE



TYPICAL PERFORMANCE



| PRESSURE (PSI) | FLOW (GPM/LIT) | RPM MIN/MAX | CURRENT (AMPS) | VOLTAGE (VOLTS) |
|----------------|----------------|-------------|----------------|-----------------|
| OPEN | 1.44/5.4 | 2345/2375 | 3.1 | 12VDC |
| 10 | 1.36/5.1 | 2280/2330 | 3.9 | " |
| 20 | 1.30/4.9 | 2225/2270 | 4.5 | " |
| 30 | 1.24/4.7 | 2170/2225 | 5.2 | " |
| 40 | 1.17/4.4 | 2125/2170 | 5.8 | " |
| 50 | 1.11/4.2 | 2070/2130 | 6.4 | " |

-SPECIFICATIONS SUBJECT TO CHANGE WITHOUT NOTICE.

-ALL DATA BASED ON TESTING WITH WATER AT AMBIENT TEMPERATURE.